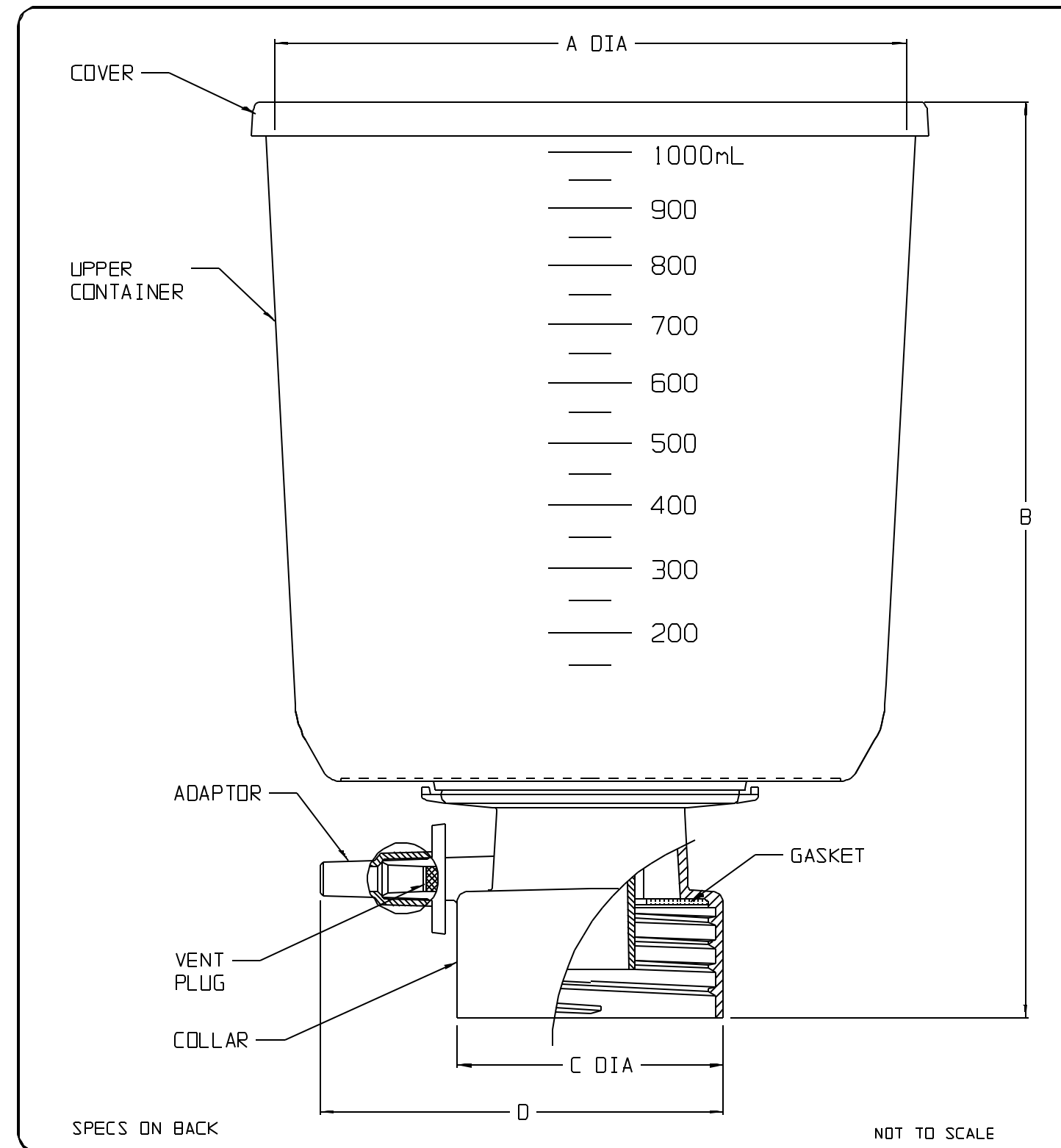


CAT. NO.....:	292-3320	292-4520	297-3320	297-4520				
PORE SIZE (µm).....:	0.2	0.2	0.2	0.2				
UPPER CAP. (mL).....:	1000	1000	1000	1000				
BOTTLE NECK SIZE.....:	33mm	45mm	33mm	45mm				
MEMBRANE COLOR.....:	WHITE	WHITE	WHITE	WHITE				
MEMBRANE DIA (mm).....:	90	90	90	90				
	INCHES	MM	INCHES	MM	INCHES	MM	INCHES	MM
A (UPPER I.D.).....:	4.49	114.0	4.49	114.0	4.49	114.0	4.49	114.0
B HEIGHT.....:	6.43	163.3	6.50	165.1	6.43	163.3	6.50	165.1
C DIA (BASE).....:	1.39	35.3	1.89	48.0	1.39	35.3	1.89	48.0
D DIM.....:	2.48	63.0	3.00	76.2	2.48	63.0	3.00	76.2
NOM. WT. (gms).....:	117	118	117	118				

MATERIALS		
CATALOG NUMBER	292-3320/-4520	297-3320/-4520
UPPER CONTAINER	PS	PS
COVER	PS	PS
COLLAR	YELLOW PS	BLUE PS
ADAPTOR	WHITE LOPE	WHITE LOPE
GASKET	FOAMED LOPE	FOAMED LOPE
MEMBRANE	SFCA	PES
VENT PLUG	CA	CA

NOTES:

1. ALL DIMENSIONS ARE NOMINAL AND IN INCHES AND MILLIMETERS UNLESS OTHERWISE NOTED.
2. THIS IS NOT A PRODUCTION DRAWING, BUT IS FOR INFORMATIONAL PURPOSES ONLY, AND IS SUBJECT TO CHANGE WITHOUT NOTICE.



CONFIDENTIAL

THIS PRODUCT SPECIFICATION SHEET CONTAINS CONFIDENTIAL AND/OR PROPRIETARY INFORMATION AND IS TO BE USED ONLY FOR THE EXPRESSED PURPOSES AGREED UPON BY AN AUTHORIZED OFFICER OF THERMO FISHER SCIENTIFIC.

ThermoFisher
SCIENTIFIC

Thermo Fisher Scientific
75 Panorama Creek Drive
Rochester, NY 14625-2385, USA

MADE	MC ²	APP'D	PSS 00-029X-XX20	REV.	0902
CK'D					

DESCRIPTION:
BOTTLE TOP FILTERS



WolfLabs

Pricing on any accessories shown can be found by keying the part number into the search box on our website.

The specifications listed in this brochure are subject to change by the manufacturer and therefore cannot be guaranteed to be correct. If there are aspects of the specification that must be guaranteed, please provide these to our sales team so that details can be confirmed.

www.wolflabs.co.uk

Tel : 01759 301142

Fax : 01759 301143

sales@wolflabs.co.uk

Please contact us if this literature doesn't answer all your questions.